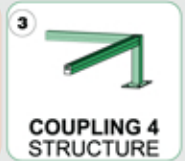




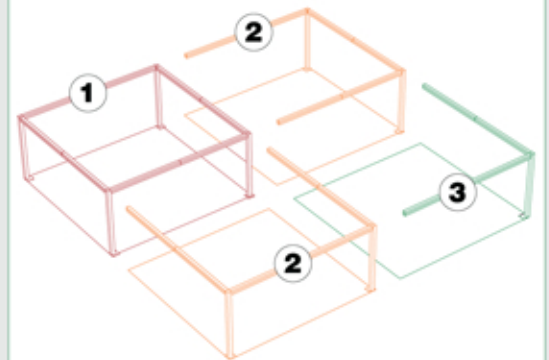
model *Airone Max*



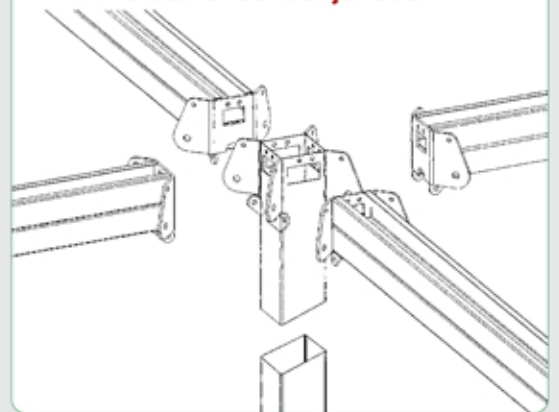
THE COUPLING SYSTEM



EXAMPLE OF 4 MODULES COUPLING



Detail of central junction



EXTRA PERIMETRICAL PILLAR (for sides m 13.00, 14.00, 15.00)

