

# VERASTOR AWNINGS



## What is an awning made of?

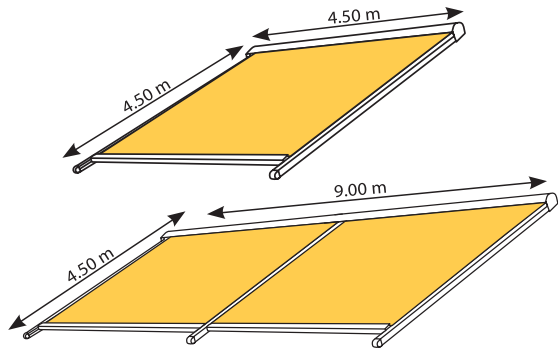
### Description

Flat awnings that provide protection from the sun for exterior structures. In addition to helping to keep out the heat and making spaces truly comfortable, these awnings also feature top quality finishes and are simple to operate.

### Ideal for installation

- On any kind of exterior structure: glassed-in terraces and verandas, rooftop terraces, open terraces, galleries, etc.

### Dimensions (Check table)



Additional modules can be added to achieve the desired width.

### Mounting

- Over the structure
- With latticework or Elit awning profiles

### Operation

- Motorised
- Automated

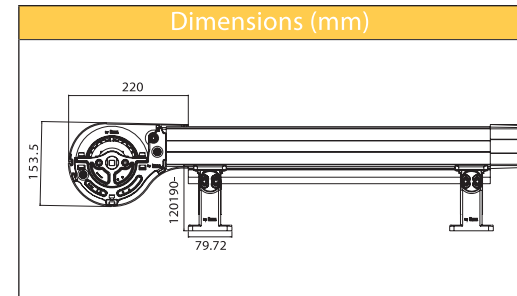


### Finishes

- Lacquer in accordance with QUALICOAT standards
- Stainless steel screws and bolts



### Technical specifications



#### Maximum width according to maximum projection

Maximum width	Maximum projection
4.50 m	4.50 m
5.00 m	4.00 m

## Features:

- Quick and easy installation, preassembled in our workshops.
- Its cassette system, made of aluminium profiles, helps to protect the awning from inclement weather.
- Very effective, ensuring excellent functionality every time.
- Its guide system prevents light from entering through the sides.
- A water-collecting profile can be added.